



TERMS OF REFERENCE

August 1, 2022

**SUPPLY, DELIVERY, AND INSTALLATION OF BRAND-NEW PRELIMINARY
DISINFECTION AND STORAGE FACILITIES FOR COLLECTED COVID-19
RELATED WASTE FOR 8 LGUS IN CORDILLERA ADMINISTRATIVE
REGION (CAR)**

1. Project Objective

To provide support in the establishment of Preliminary Disinfection and Storage Facilities that will improve the collection of COVID-19 related healthcare waste from quarantine facilities, testing facilities, and vaccination sites located in remote areas including small generators that are not serviced by a Transport, Storage, and Disposal facility.

2. Components of the System

- a. 20-footer Container
- b. Yellow Bins/Drums

3. Technical Specifications per storage facility

Item No.	Description	Quantity	Unit
1	<p>20-footer Container Minimum Storage Capacity: can store 4.5 tons of COVID-19 related waste materials;</p> <ol style="list-style-type: none"> 1. Main structure made of Corten steel with 2 mm thickness 2. Internal Dimension: 5.9m L x 2.15m W x 2.15m H 3. Internal Walls & Ceiling: 1" thick Polystyrene insulated, clad with ¼" thick Fiber Cement (FICEM) board. 4. Internal and External Walls & Ceiling: one coat of epoxy primer, top coated with chlorinated rubber paint. 5. All corners must be connected with bolts (full weld) 6. With ventilator/ exhaust 	1	unit
2	<p>Yellow Bins/Drums</p> <ol style="list-style-type: none"> 1. Container/bin made of polyethylene with 1.5 mm to 2 mm thick with roller 2. Provision of 63 units with a capacity of 100L. Dimension: 48.5 cm L x 47 cm W x 84 cm H 3. Provision of stacking pallets and side platform. 	63	Drums/bins
3	L 20" x W 20" x H 6" Wood Pallet or "tarima"	50	units
	1" thick Wood Platform with steel framing and support	1	lot
	Door Ramp/Plank	1	unit
	Reinforced Concrete Pedestal (cast-in-place) Dimensions: 0.3 m. X 0.3 m. x 0.3 m.	6	units
	Two-Panel Door with Locks	1	set
	Painting Works	60	sq. m.
	Perimeter Fence (1.5 m min height, 2 face plastered CHB wall, with 6 reinforced concrete column)	50	sq. m.
4	Permits and Licenses -ECC, Hazardous Waste Generator Registration Certificate, TSD Facility Registration Certificate (Category F)	1	lot
Estimated Cost Per Storage Facility			800,000.00

4. Scope of Work

1. Coordinate with the EMB-CAR to verify the sites suitable for the installations of the Preliminary Disinfection and Storage (PDS) Facility;
2. Coordinate with the Local Government Unit concerned where the facility will be established for its operation, maintenance, and management
3. Supply, delivery and installation of the PDS facility in the best available location based on the approval of the EMB-CAR;
4. All permits, licenses, and necessary document fees shall be provided by the contractor and secured by the recipient.;
5. Provide training for the LGU staff in the management, use, maintenance, operation of the PDS facility.
6. Provide disinfection materials and supplies during the warranty period.

5. Other requirements to be submitted by the Bidder during bid opening

- A. Certification from the contractor that they are in the business of installing pre-fabricated, safe, secure containment and storage area.
- B. Certificate of accreditation from National Agricultural and Fisheries Machinery Assemblers, Manufacturers, Importers, Distributors and Dealers Accreditation and Classification (NAMDAC)
- C. Certificate of Performance Evaluation from the SLCC client that the products similar to the item to be bid has performed very satisfactorily in service within the past five (5) years.
- D. Bidders may conduct a site inspection of all delivery sites and submit Affidavit of Site Inspection.

6. Requirement/s if awarded the contract

- 1) Supply, delivery, and installation completion within one hundred Twenty (120) calendar days after receipt of Notice to Proceed (NTP).

7. Installation Sites

REGION	INSTALLATION SITES	TOTAL
CAR	Province of Abra	8
CAR	Province of Apayao	
CAR	Province of Benguet	
CAR	Baguio City, Benguet	
CAR	Province of Ifugao	
CAR	Province of Kalinga	
CAR	Tabuk City, Kalinga	
CAR	Mountain Province	

8. Warranty Period/ Coverage of Warranty

- A. The contractor shall provide ONE (1) year warranty free of cost on parts and installation works and maintenance commencing from the date of the project completion.
- B. Quotation of the Annual Preventive Maintenance Cost after the warranty period expires.

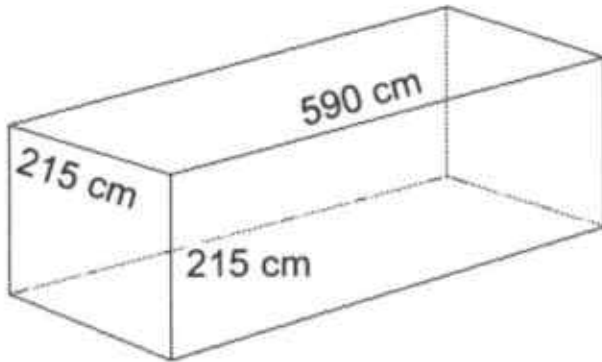
9. Training

Undertaking to provide maximum of one (1) day orientation/ training per installation site for the end users (maximum of 20 participants).

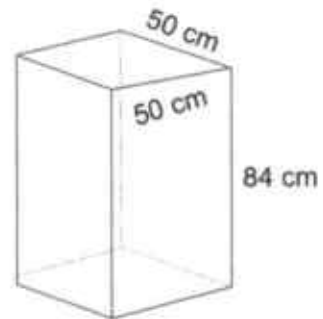
10. Terms of Payment per storage facility

- 15 % - mobilization
- 70 % - upon delivery and complete installation of PDSF and its appurtenances
- 15 % - upon the issuance of the permits and licenses for the PSDF to the recipient LGUs

11. Conceptual Design



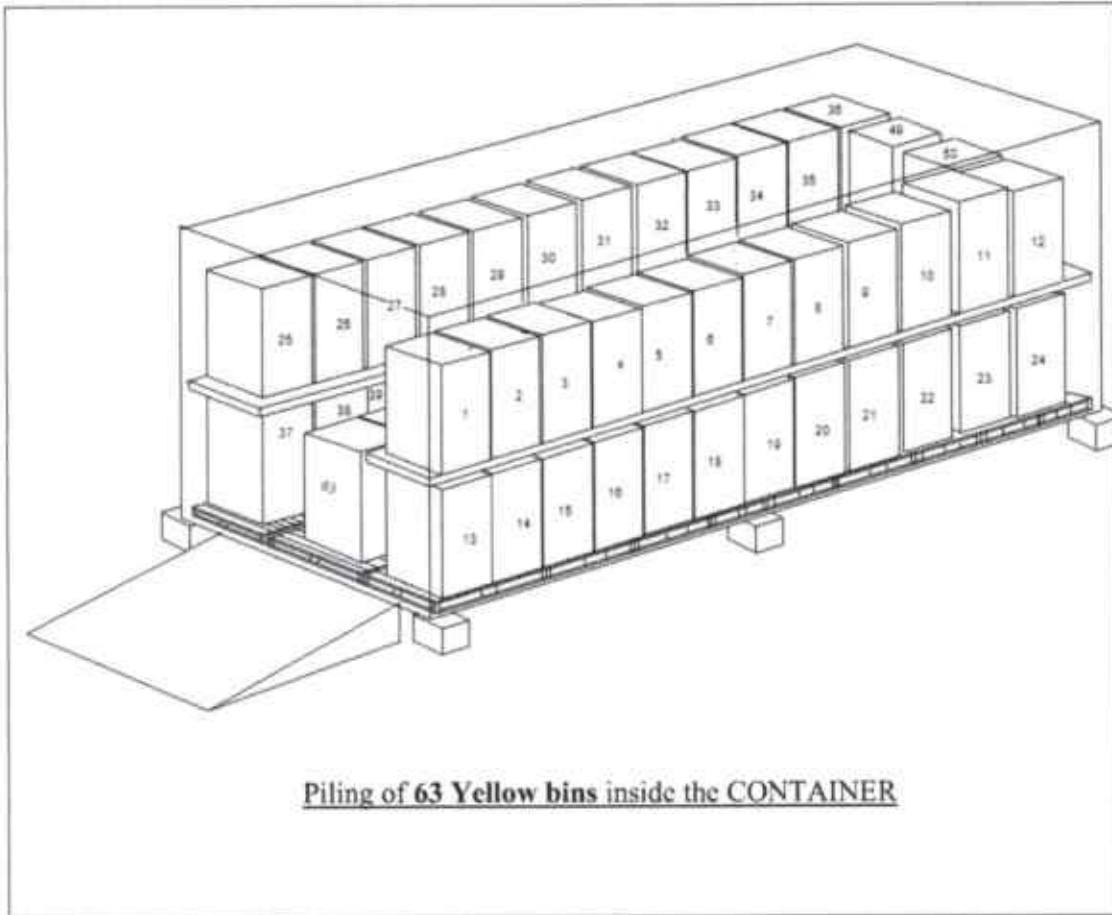
Container Dimension



Yellow Bin Dimension



Front View



Piling of 63 Yellow bins inside the CONTAINER

100 Liter Yellow Bin Design

